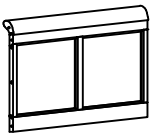
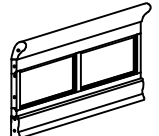
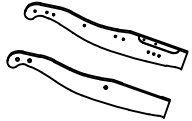
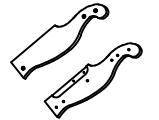
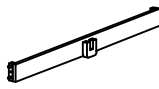



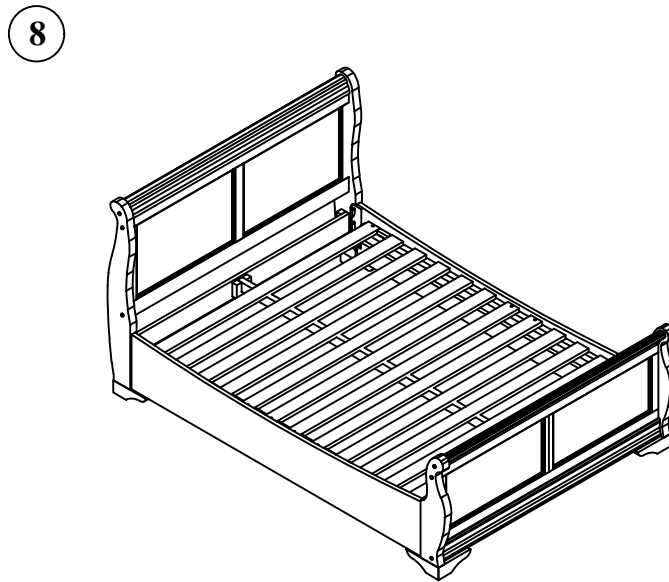
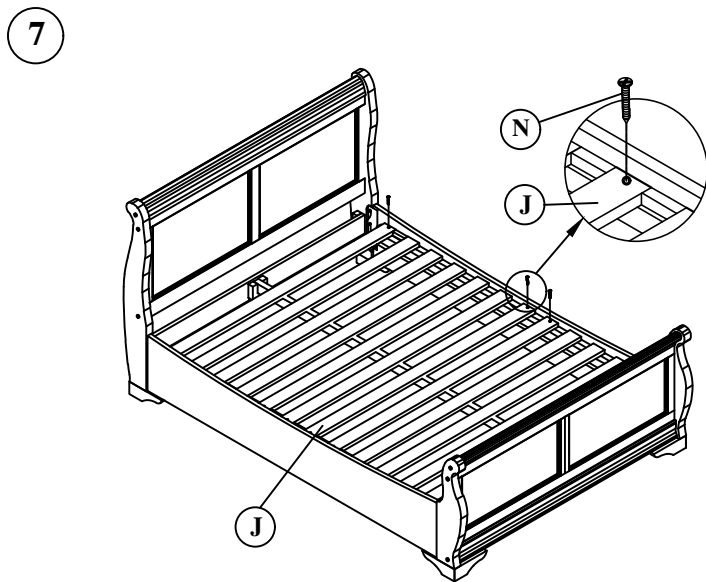
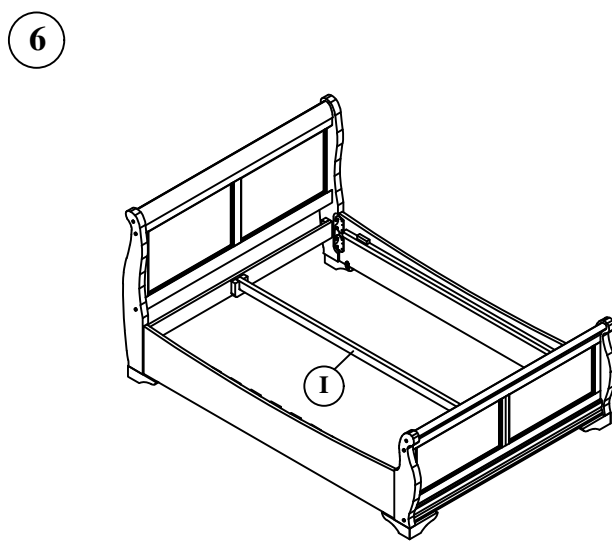
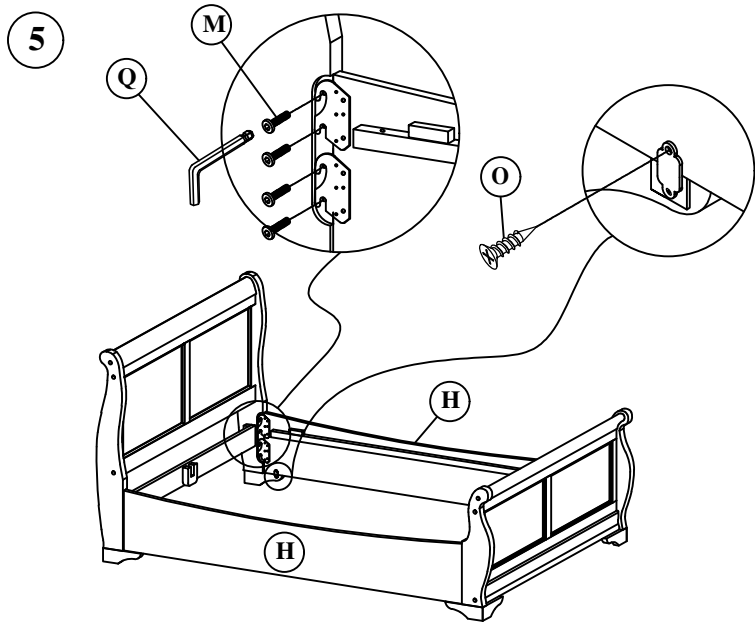







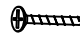
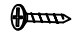
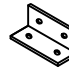
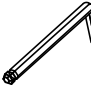

A		Headboard panel	1 PC
B		Footboard panel	1 PC
C		Headboard Wood Leg (L/R)	2 PCS
D		Footboard Wood Leg (L/R)	2 PCS
E		Bottom Stretcher	01 PC
F		Headboard Apron	2 PCS
G		Footboard Apron	2 PCS
H		Wood Side Rail	2 PCS

# Assembly Instruction - Queen Bed

THU - QB01LR / V3P

# Part List



I		Center Bar	1 PC
J		Wood slat	14 PCS
K		Wood Button	12 PCS
L		Bolt 1/4* 45 mm	18 PCS
M		Bolt 1/4* 15 mm	16 PCS
N		Chipboard Screw Ø4 x 30 mm	8 PCS
O		Chipboard Screw Ø4 x 15 mm	12 PCS
P		Bracket	2 PCS
Q		Allen Key	2 PCS
R		Wood Dowel 10 x 35 mm	20 PCS